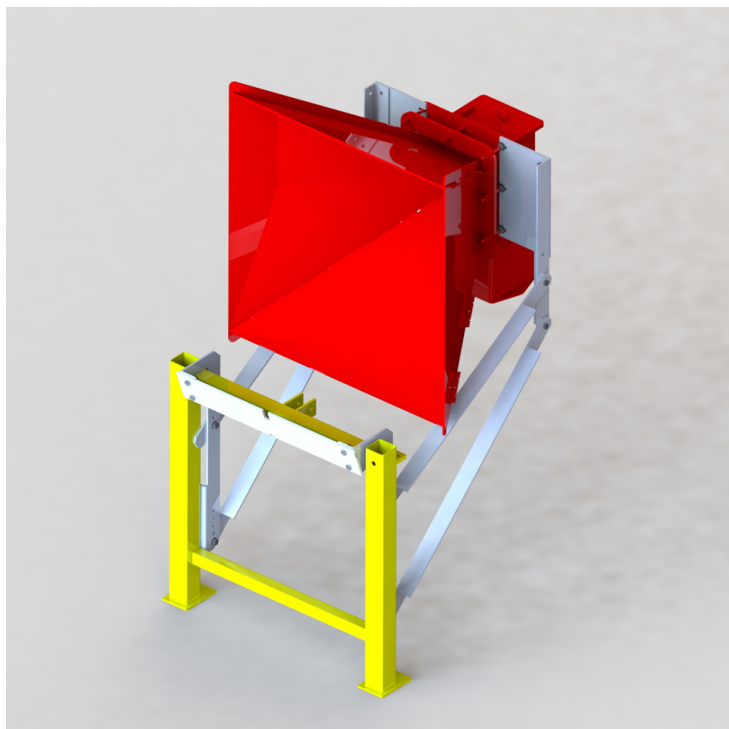


HARdbOX BulletTrap .22-9 support compatible 50m GIROCIBLE target return



Product codes:

Reference: KG-HBBTMG

EAN13: -

UPC: -

Product features:

Material: Hardox 450

Thickness: 5mm

Surface Treatment: Rustproof Primer

Product short description:

Mounting bracket for the HARdbOX .22-9 BulletTrap on the GIROCIBLE 50m target retriever target retriever system.

Bracket components are shown in white in the photos, while the original GIROCIBLE frame is shown in yellow.

Designed for quick and easy installation of a bullet trap on the rear side of the GIROCIBLE 50m target retriever support structure.

Provides additional protection against accidental shots impacting the horizontal pulley support bar.

Supplied as a complete kit with simple and fast assembly. Installs directly onto the existing support structure without modification.

- Easy installation on existing GIROCIBLE 50m systems
 - Reinforced safety for shooting range infrastructure
 - Kit supplied ready for assembly
 - Price upon quotation — volume discounts available
-

Product description:

- Bracket manufactured from hot-dip galvanized steel for excellent corrosion resistance and long-term durability in shooting range environments.
- Adjustable bullet trap height with 20 mm increments for easy alignment and adaptation to the existing installation.
- Lightweight ballistic protection made from 5 mm thick HARDOX 450 steel, designed to protect the horizontal pulley support tube against accidental shots.

Product gallery:

