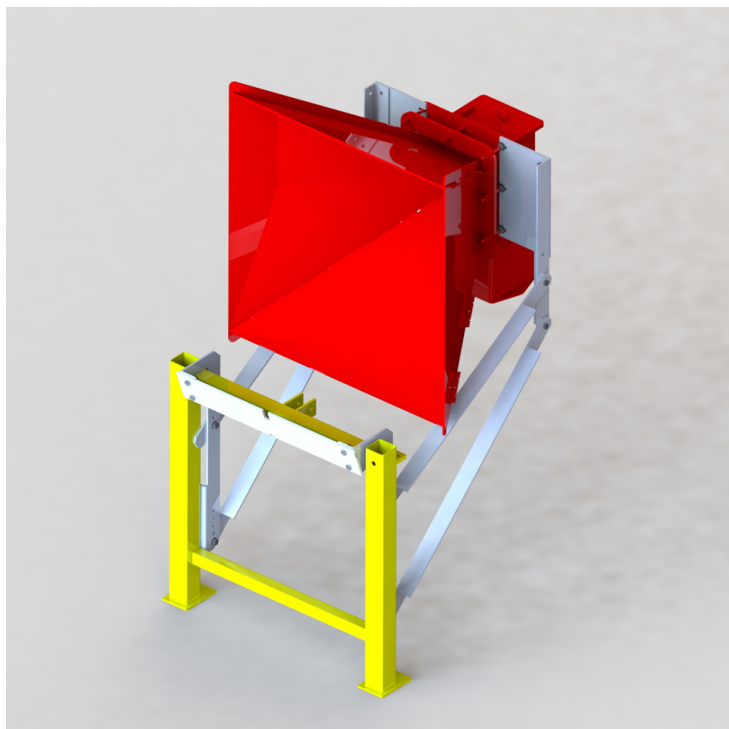


HARdbOX .22-9 BulletTrap - 22LR and 9mm bullet trap



Product codes:

Reference: KG-HBBT

EAN13: -

UPC: -

Product features:

Material: Hardox 600

Thickness: 12mm

Surface Treatment: Rustproof Primer

Product short description:

The HARdbOX .22-9 BulletTrap is a robust bullet trap designed for C50 targets, compatible with calibers up to 9x19mm at 25 m, as well as all rimfire calibers at 50 m (22LR, 22 WMR, 17 HMR, 17 Mach II).

Its funnel-cone design with a high-strength end plate ensures efficient projectile capture while reducing splash and ricochet risks. An integrated collection container allows easy recovery of lead debris and brass jackets for simplified maintenance.

Simple and reliable mechanical design, completely weld-free, providing reduced maintenance and excellent durability.

- Quick and easy assembly
- Dimensions: H600 × W600 × D350 mm
- Bullet trap components are shown in red in the photos
- Price upon quotation — volume discounts available

Product description:

Product gallery:

